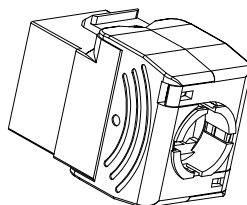
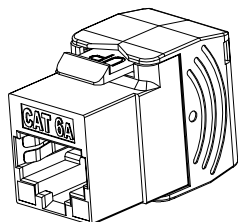
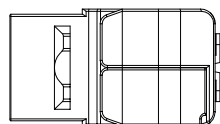
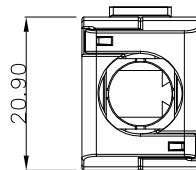
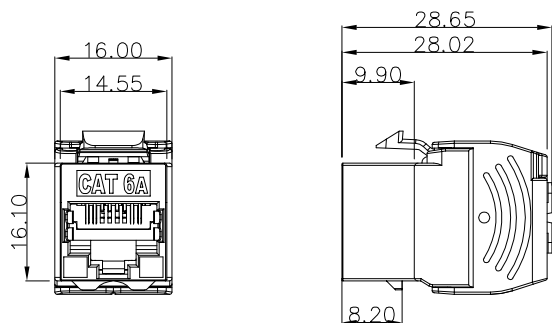
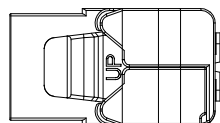




REVISIONS			
ZONE	REV	DESCRIPTION	DRAWN



**SPECIFICATION**

- Meets TIA/EIA-568B-C.2 Cat6A (500MHz) Channel and 15M short Permanent Link requirements.

**Electrical**

- Insulation Resistance : 500 MΩhm minimum @ 100 Vdc
- Dielectric Withstanding Voltage : 1000 Vac rms @ 60Hz for one minute
- Current Rating : 1.5 Amps
- Spring wire contact resistance : 20 mΩhm maximum
- IDC Contact resistance : 2.5 mΩhm maximum

**Mechanical**

- Total Contact force : >100 GRAMS per contact wire lead
- Retention : 50 N(11 lbf) for 60s ± 5s
- Durability : 750 cycles minimum
- Conductor compatibility : 22~24AWG
- Temperature range storage : -40° C ~ +70° C
- Temperature range operation : -10° C ~ +60° C
- Relative humidity operation : Maximum noncondensing 93%

**Materials**

- Housing : High Impact flame retardant plastic, UL 94 V-0 Rated
- PCB : FR4, 1.6mm thickness
- Spring wire : Phosphor Bronze Alloy plated with 50 micro-inch of gold over 70 ~ 100 micro-inch of nickel
- IDC : Phosphor Bronze alloy plated with 100 micro-inch of tin

**TAA COMPLIANT**

TOLERANCES		TITLE	
INCH = ± 0.003		QuickTrex® Premium Cat 6A Shielded 10 GIG Rated Keystone Jack - 180 Degree Toolless Keystone Jack	
MM = ± 0.2			
UNIT: mm		ANGULAR = ± 1°	
DRAWN BY		MATERIAL	
Jones 10/23'17		See Above	
CHECKED		MODEL	
T.D.		QT-C6AS-TL-KJ	
APPROVED		FINISH	
A.D.		Silver	
SCALE		DRAWN NO.	
1:1		A11313	
REV	SHEET	A4	
A	1 / 1		

Purchase at  
LANshack.com  
888-568-1230  
sales@lanshack.com